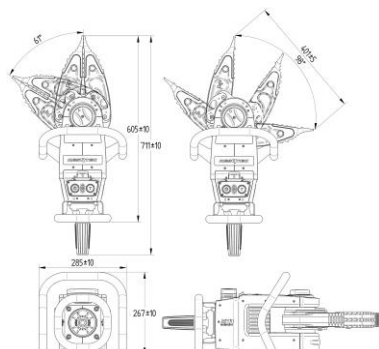


# TECHNICAL SPECIFICATIONS

# SPREADER P4x



## SPREADER P4x

Drive technology	Electronic rotary direct drive (non hydraulic)
Nominal input	43.2 VDC
Dimensions with full control handle (L x W x H)	711 x 285 x 267 mm (±10 mm)
Dimensions with optional compact short control handle (L x W x H)	605 x 285 x 267 mm (±10 mm)
Operational weight incl. Battery Pack 1	19.8 kg (±0.2 kg)
Operational weight incl. Power Connector	19.2 kg (±0.2 kg)
Weight excl. battery	18.8 kg (±0.2 kg)
Weight excl. battery and excl. spreader arms	14.6 kg (±0.2 kg)
Rotating head angle	61°
Max. spreading opening	401 mm (±5 mm)
Spreading force at base of arm teeth <sup>1</sup>	113.0 - 170.8 kN / 11.5 - 17.4 ton
Spreading force at base of jaw	77.5 - 117.0 kN / 7.9 - 11.9 ton
Spreading force 25 mm from tips	41.5 - 62.7 kN / 4.2 - 6.4 ton
NFPA HSF	56.7 kN / 5.8 ton
NFPA LSF	37.5 kN / 3.8 ton
NFPA 1936	Compliant

ACCESSORIES	Art. Nr.	ACCESSORIES	Art. Nr.
LED light add-on	9500.1000	Battery Pack 1 (PP1)	4300.0010
X-series aircraft jaws set	2160.6125	Battery Pack 10 (PP10)	4300.0390
P4w cutter blades set (6 kg)	4250.1720	Power Connector	4300.0150
Rear 360° carry handle (optional)	4250.1065	Battery charger EDD	4300.0140
Short control handle (optional)	4250.0595		

\*Maximum is a theoretical force



Information contained in this document is believed to be accurate. However RESQTEC does not guarantee the completeness or accuracy of any of the published information.



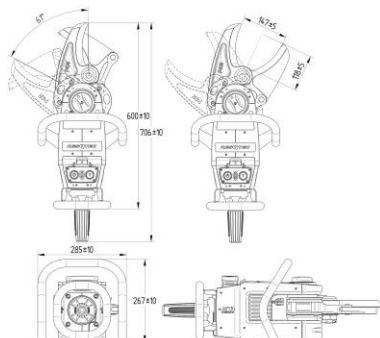
**RESQTEC Zumro B.V.**  
 Meer en Duin 82 | 2163 HC Lisse, the Netherlands

**T** +31 (0)252 419002  
**E** info@resqtec.com

**F** +31 (0)252 411794  
**W** www.resqtec.com



# TECHNICAL SPECIFICATIONS CUTTER P4w



## CUTTER P4w

Drive technology	Electronic rotary direct drive (non hydraulic)
Nominal input	43.2 VDC
Dimensions with full control handle (L x W x H)	706 x 285 x 267 mm (±10 mm)
Dimensions with optional compact short control handle (L x W x H)	600 x 285 x 267 mm (±10 mm)
Operational weight incl. Battery Pack 1	21.5 kg (±0.2 kg)
Operational weight incl. Power Connector	20.9 kg (±0.2 kg)
Weight excl. battery	20.5 kg (±0.2 kg)
Weight excl. battery and excl. cutter blades	14.6 kg (±0.2 kg)
Rotating head angle	61°
Max. cutting opening	147 mm (±5 mm)
Reach	118 mm (±5 mm)
Max. cutting force <sup>1</sup>	981 kN / 100.0 ton
NFPA 1936	Compliant

## ACCESSORIES

Art. Nr.

## ACCESSORIES

Art. Nr.

LED light add-on	9500.1000	Battery Pack 1 (PP1)	4300.0010
P4x arms & jaws	4250.1790	Battery Pack 10 (PP10)	4300.0390
Rear 360° carry handle (optional)	4250.1065	Power Connector	4300.0150
Short control handle (optional)	4250.0595	Battery charger EDD	4300.0140

\*Maximum is a theoretical force



Information contained in this document is believed to be accurate. However RESQTEC does not guarantee the completeness or accuracy of any of the published information.



**RESQTEC Zumro B.V.**  
 Meer en Duin 82 | 2163 HC Lisse, the Netherlands

**T** +31 (0)252 419002  
**E** info@resqtec.com

**F** +31 (0)252 411794  
**W** www.resqtec.com

